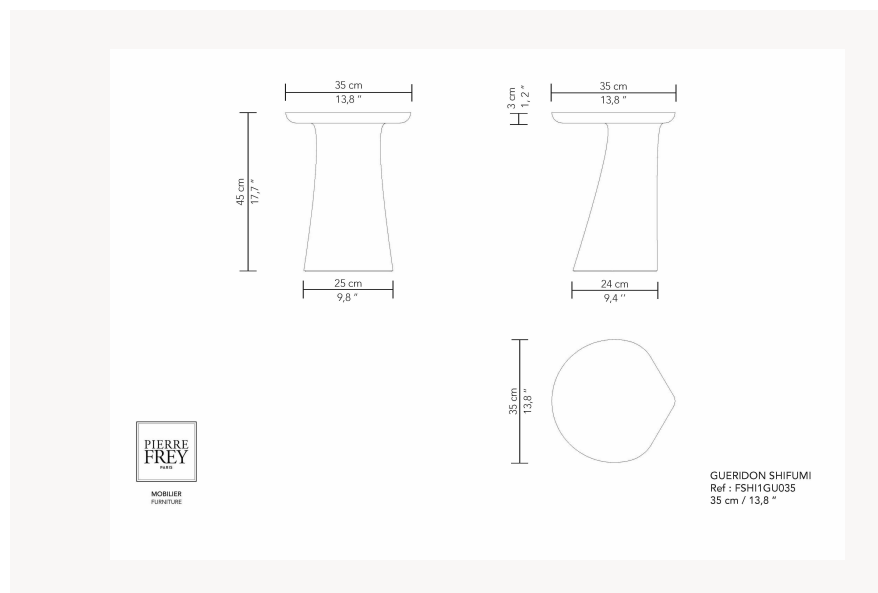


FSHI1GU035LMS SHIFUMI

SHIFUMI, conceived by RDAI, explores a subtle balance between structure and movement. It is a collection of tables designed as a cohesive whole, where the precision of the lines engages in dialogue with a freer, almost organic form. Each tabletop suggests a petal. A simple, legible shape that repeats and echoes, gradually composing a landscape. Play is at the heart of SHIFUMI. Available in three heights, the tables come together instinctively. They draw close, overlap, or drift apart, forming ever-changing compositions. Whether grouped as a central cluster or placed as accents, they adapt effortlessly to both space and use. The design's apparent lightness rests on a true feat of balance. The cantilever, precisely mastered, gives the tops a sense of suspension while maintaining perfect stability. The structure recedes, allowing the form to take center stage. The finishes extend this language. Oak veneers in deep tones or colored lacquers, whether matte, satin, or gloss, accentuate the contours and define the character of each composition.

FSHI1GU035LMS -



Pierre Frey

CATEGORY	Pedestal tables
DESIGNER	Rdai
DIMENSIONS	L 35 x P 34 x H 45 cm L 13 x P 13 x H 17 inches
FRAME	Wooden panel Construction : Traditional assembly
INFORMATION	Available in OAK or lacquer (mat, satin or glossy)
WEIGHT	23,37 Lbs

3 Colors



FSH11GU035B



FSH11GU035LB

FSH11GU035L
MS